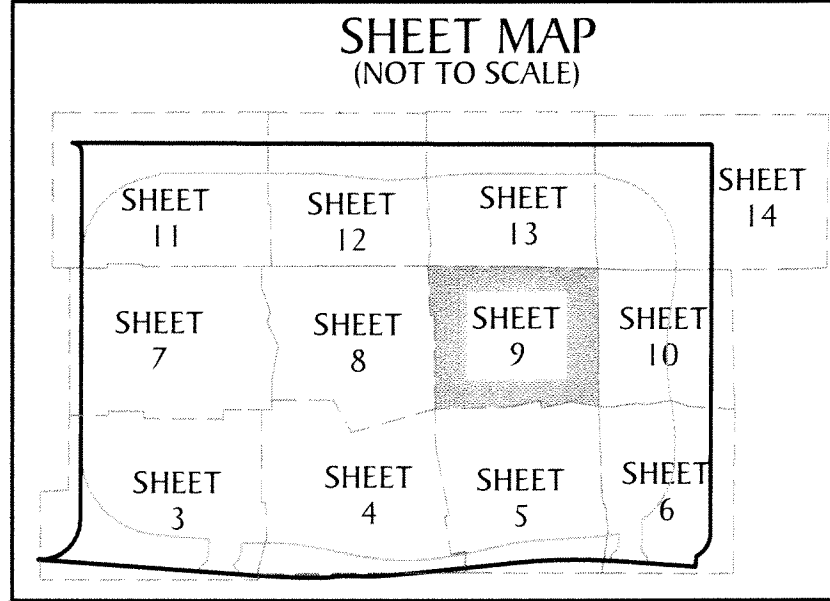
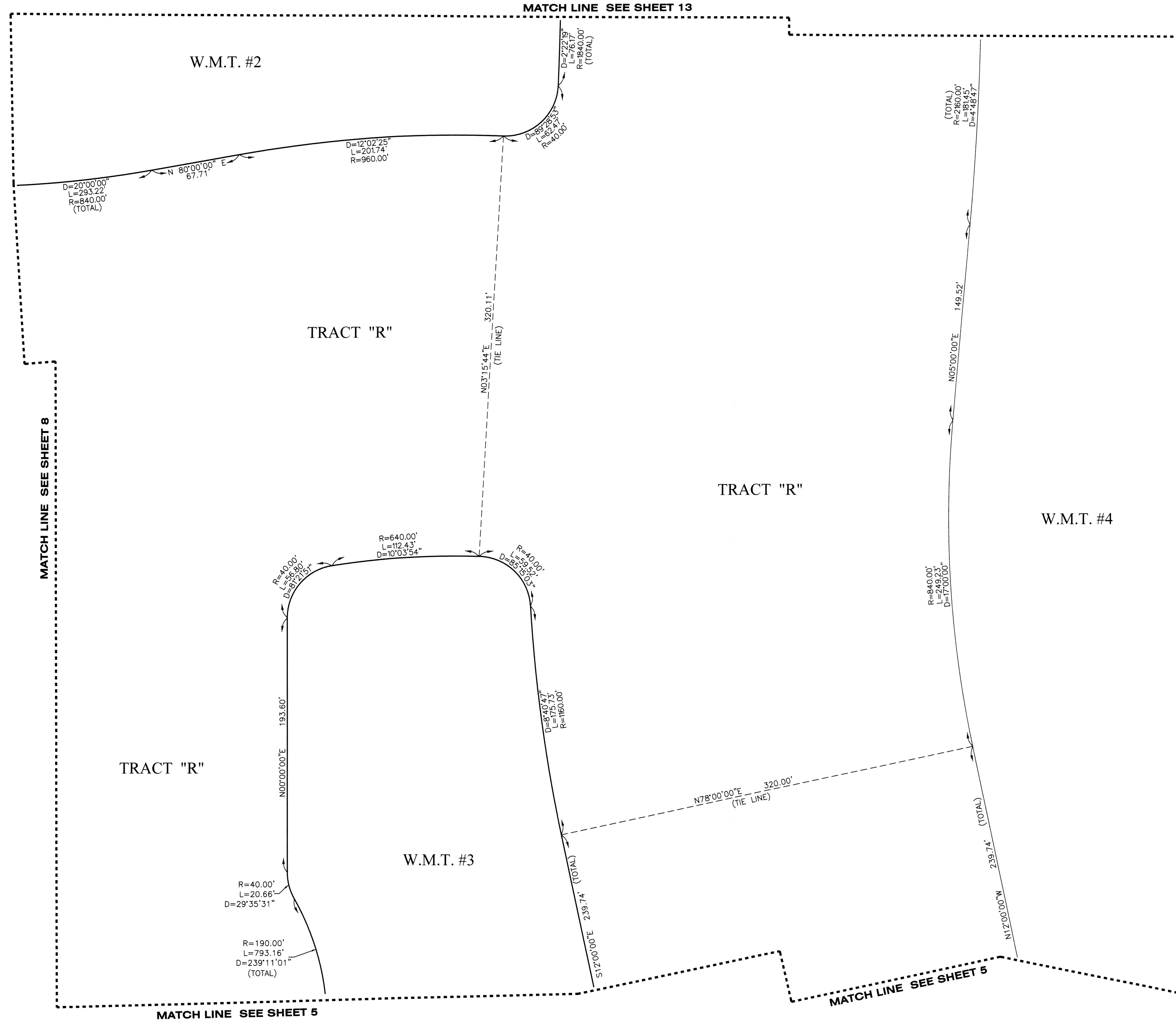
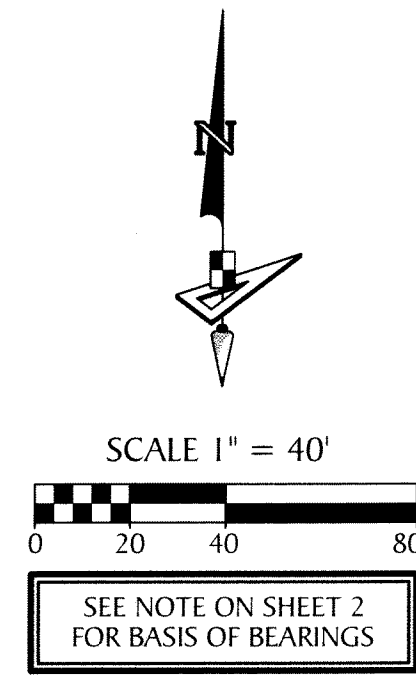


# MEADOWS OF WESTLAKE - PHASE I

BEING A PLAT OF A PORTION OF  
SECTION 6, TOWNSHIP 43 SOUTH, RANGE 41 EAST,  
CITY OF WESTLAKE, PALM BEACH COUNTY, FLORIDA

148



### LEGEND

- P.B. ----- PLAT BOOK
- D.B. ----- DEED BOOK
- PG./PG(S) ----- PAGE(S)
- W.M.T. ----- WATER MANAGEMENT TRACT
- O.S.T. ----- OPEN SPACE TRACT
- R.P.E. ----- RURAL PARKWAY EASEMENT
- P.B.C. ----- PALM BEACH COUNTY
- U.E. ----- UTILITY EASEMENT
- D.E. ----- DRAINAGE EASEMENT
- L.M.E. ----- LAKE MAINTENANCE EASEMENT
- L.M.A.E. ----- LAKE MAINTENANCE ACCESS EASEMENT
- R ----- RADIUS
- L ----- ARCH LENGTH
- D ----- DELTA ANGLE
- CB ----- CHORD BEARING
- C ----- CHORD
- 6-43-41 ----- SECTION-TOWNSHIP-RANGE
- ----- FOUND PERMANENT REFERENCE MONUMENT
- ----- SET PERMANENT REFERENCE MONUMENT
- ⊙ ----- PERMANENT CONTROL POINT
- P.C. ----- POINT OF CURVATURE
- P.T. ----- POINT OF TANGENCY
- R/W ----- RIGHT-OF-WAY



4152 W. Blue Heron Blvd. Phone: (561) 444-2720  
Suite 105 www.geopointsurvey.com  
Riviera Beach, FL 33404 Licensed Business Number LB 7768